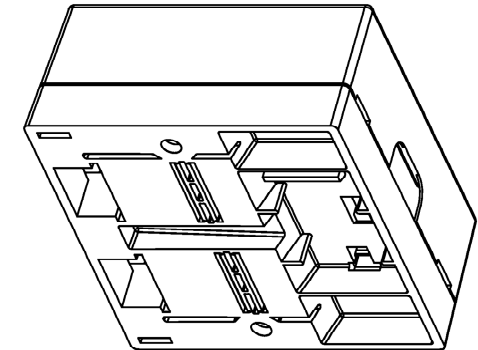
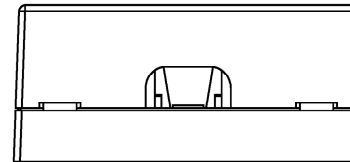
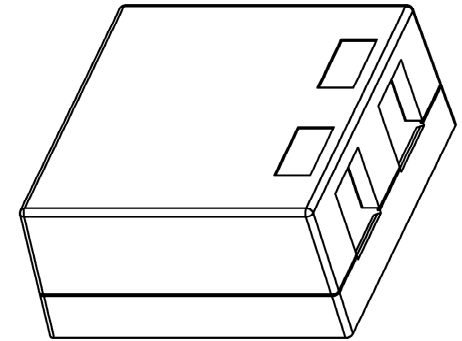
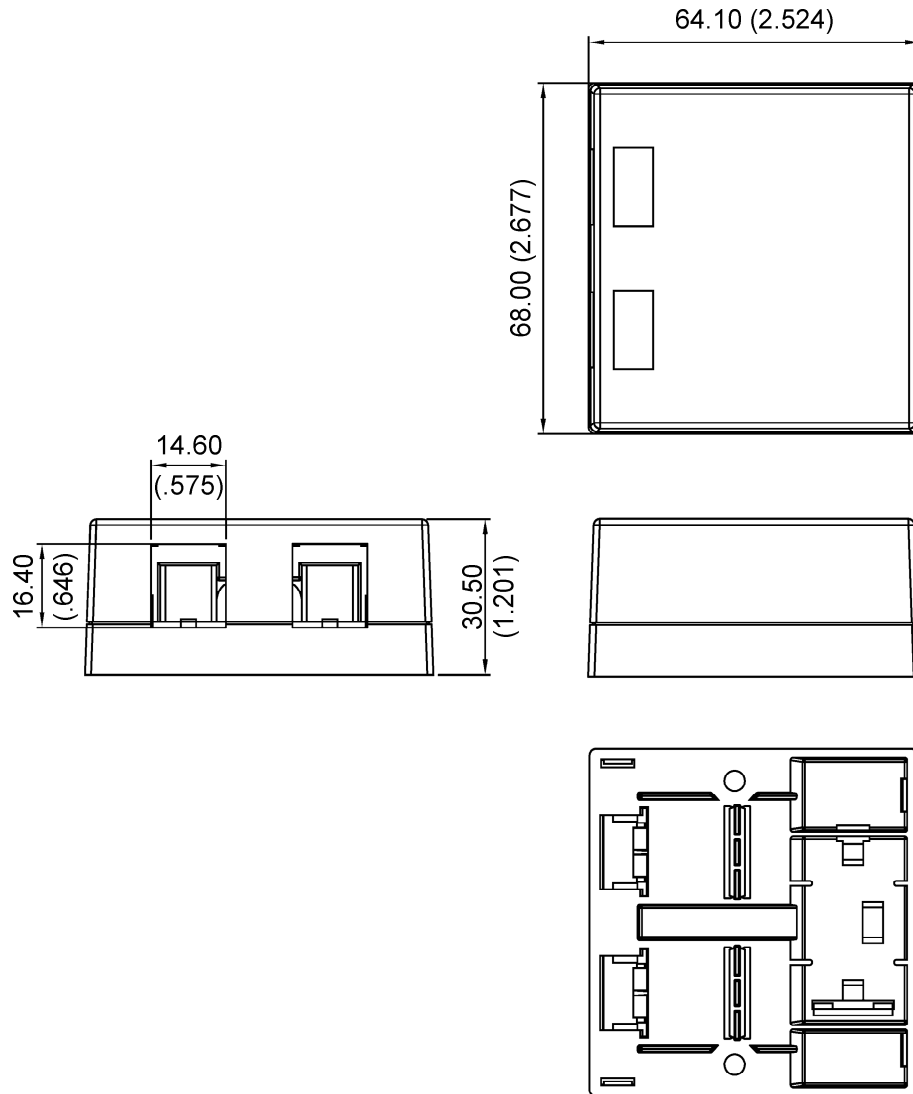


REVISIONS

ZONE	REV	DESCRIPTION	DATE	APPROVED
	A	A-SEP-08 SMKL-2	SEPT.'08	



NOTES:  
1. MATERIAL: ABS UL 94V-0

UNLESS OTHERWISE SPECIFIED DIMENSIONS ARE IN MILLIMETERS (INCHES) TOLERANCES:		MATERIAL:		AS NOTES			
MM	IN	ANGULAR					
.X ± .2	.X ± .016	X ± 1°				16295 NW 13th Ave, Ste A, Miami, FL 33169, PH: (305) 944-7710, FX: (305) 949-4483, www.signamax.com	
.XX ± .1	.XX ± .008	.X ± .5°	PROJECT ID	SPCS - PD	FILE	SPCS - PD.KSM-MMB.SMKL2	SEPT'08
	.XXX ± .004		PROCESS	INITIALS	NAME	DATE	TITLE
			DRAWN				SMKL-2 (2-PORT SURFACE MOUNT BOX)
			CHECK				SIZE
			APPROVED				A
							CAGE CODE
							DWG. NO.
							REV
							A
							SCALE
							1:1.5
							UNIT
							MM (IN)
							SHEET
							1 OF 1